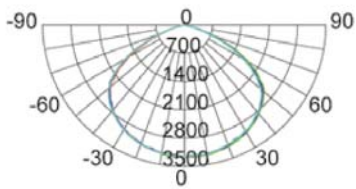




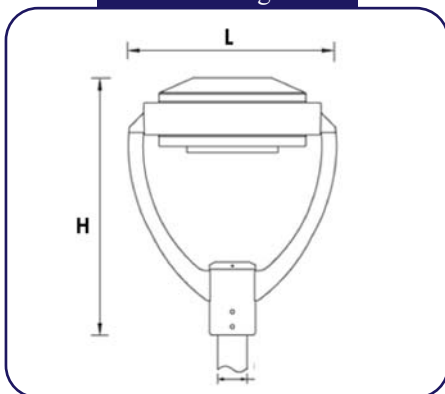
OT Series **OT-06-DS**

Photometric Data



120°

Drawing



Applications

Outdoor - Commercial premises,
Walkways, Park, Gardens, Rural road

Mounting

Pole top

THD

< 10

Power Factor

0.98

Housing

Die cast aluminum

Reflector

Pure anodizing aluminum

Internal Protection

IP 65

Impact Strength

IK 10

Weight

9.2 Kg

Efficacy

110 Lumens / Watt

Working Temp (ta)

55°C

Warranty

5 Years

Life Time

80,000 Hours

CRI

> 80

Certification

SASO 2902



UL Listed



LM79, ISTMT, TM21



Photobiological

Other Options

Dimming 0-10V



Model	Power	Size (D x H)	Lumen	Voltage	CCT	Beam Angle
OT-06-DS	45W	425 x 545 mm	4950 LM	220-240V/50/60Hz 110-277V/ 50/60Hz	3000K	120° 150°
	60W		6600 LM		4000K	
	80W		8800 LM		5000K	

